

DH-PTZ19245U-IRB-N(-B)

2MP 45x Starlight IR Network Positioning System



- 1/2.8" 2Megapixels STARVIS™ CMOS
- Powerful 45x optical zoom
- Starlight technology
- H.265 Encoding
- Max. 50/60fps@1080P
- IR distance up to 350m
- Anti-corrosion, IP68



System Overview

Featuring powerful optical zoom and accurate pan/tilt/zoom performance, this camera provides an all-in-one solution for capturing long distance video surveillance for outdoor applications. Together with infrared illumination and Starlight technology, the camera is the perfect solution for dark, lowlight applications. The series combines a day/night mechanical IR cut filter for the highest image quality in variable lighting conditions during the day, and True WDR for applications with direct sunlight or glare.

Functions

Starlight Technology

For challenging low-light applications, Dahua's Starlight Ultra-low Light Technology offers best-in-class light sensitivity, capturing color details in low light down to 0.005 lux. The camera uses a set of optical features to balance light throughout the scene, resulting in clear images in dark environments.

Wide Dynamic Range

The camera achieves vivid images, even in the most intense contrast lighting conditions, using industry-leading wide dynamic range (WDR) technology. For applications with both bright and low lighting conditions that change quickly, True WDR (120 dB) optimizes both the bright and dark areas of a scene at the same time to provide usable video.

Auto-tracking

This feature controls the pan/tilt/zoom actions of the camera to automatically track an object in motion and to keep it in the scene. The tracking action can be triggered manually or automatically by defined rules. Once a rule is triggered, the camera can zoom in and track the defined target automatically.

Smart H.265+

Smart H.265+ is the optimized implementation of the H.265 codec that uses a scene-adaptive encoding strategy, dynamic GOP, dynamic ROI, flexible multi-frame reference structure and intelligent noise reduction to deliver high-quality video without straining the network. Smart H.265+ technology reduces bit rate and storage requirements by up to 70% when compared to standard H.265 video compression.

Smart Wiper

With Dahua smart wiper technology, the wiper can be start/stop automatically when the build-in rain sensor discerns whether it rains. The technology could offer better surveillance performance against wet weather and reduce dependence on manual operation.

PFA Technology

PFA technology has innovatively introduced new methods of judgment to ensure the accuracy and predictability of the direction of subject distance adjustment. The result is a set of advanced focusing algorithms. PFA ensures clarity of the image throughout the process of zooming and shortens focus time. The realization of PFA technology substantially improves user experience and increases product value.

Environmental

Dahua cameras operate in extreme temperature environments, rated for use in temperatures from -50 °C to +70 °C (-58 °F to +158 °F) with 95% humidity. Subjected to rigorous dust and water immersion tests and certified to the IP68 Ingress Protection rating makes it suitable for demanding outdoor applications.

Protection

The camera allows for ±25% input voltage tolerance, suitable for the most unstable conditions for outdoor applications. Its 8KV lightning rating provides effective protection for both the camera and its structure against lightning.

Interoperability

The camera conforms to the ONVIF (Open Network Video Interface Forum) and PSIA (Physical Security Interoperability Alliance) specifications, ensuring interoperability between network video products regardless of manufacturer.

Technical Specification

Camera

| | |
|--------------------------|---|
| Image Sensor | 1/2.8" STARVIS™ CMOS |
| Effective Pixels | 1920(H) x 1080(V), 2 Megapixels |
| Scanning System | Progressive |
| Electronic Shutter Speed | 1/1s~1/30,000s |
| Minimum Illumination | Color: 0.005Lux@F1.6; 0Lux@F1.6 (IR on) |
| S/N Ratio | More than 56dB |
| IR Distance | Distance up to 350m (1148ft) |
| IR On/Off Control | Auto/Manual |
| IR LEDs | 8 |

Lens

| | |
|----------------------|-----------------|
| Focal Length | 3.95mm~177.7mm |
| Max. Aperture | F1.6~ F4.95 |
| Angle of View | H: 70.3° ~ 1.8° |
| Optical Zoom | 45x |
| Focus Control | Auto/Manual |
| Close Focus Distance | 100mm~ 1000mm |

DORI Distance

*Note: The DORI distance is a "general proximity" of distance which makes it easy to pinpoint the right camera for your needs. The DORI distance is calculated based on sensor specification and lab test result according to EN 62676-4 which defines the criteria for Detect, Observe, Recognize and Identify respectively.

| Detect | Observe | Recognize | Identify |
|---------------|--------------|--------------|-------------|
| 2345m(7694ft) | 938m(3077ft) | 469m(1539ft) | 234m(768ft) |

PTZ

| | |
|----------------------|--|
| Pan/Tilt Range | Pan: 0° ~ 360° endless; Tilt: 0° ~ 360° endless, effective tilt angle: -55° ~ 223°, auto flip 180° |
| Manual Control Speed | Pan: 0.1° ~120° /s; Tilt: 0.1° ~60° /s |
| Preset Speed | Pan: 120° /s; Tilt: 60° /s |
| Presets | 300 |
| PTZ Mode | 5 Pattern, 8 Tour, Auto Pan ,Auto Scan |
| Speed Setup | Human-oriented focal Length/ speed adaptation |
| Power up Action | Auto restore to previous PTZ and lens status after power failure |
| Idle Motion | Activate Preset/ Scan/ Tour/ Pattern if there is no command in the specified period |
| Protocol | DH-SD, Pelco-P/D (Auto recognition) |

Intelligence

| | |
|---------------|--|
| Auto Tracking | Support |
| IVS | Tripwire, Intrusion, Abandoned/Missing, Face Detection, Heat Map |

Video

| | |
|--------------------------------------|---|
| Compression | H.265+/H.265/H.264+/H.264 |
| Streaming Capability | 3 Streams |
| Resolution | 1080P(1920×1080)/1.3M(1280×960)/720P(1280×720)/D1(704×576/704×480)/CIF(352×288/352×240) |
| Frame Rate | Main stream: 1080P/1.3M/720P(1~50/60fps) |
| | Sub stream1: D1/CIF(1 ~ 25/30fps) |
| | Sub stream2: 1080P/1.3M/720P/D1/CIF(1~25/30fps) |
| Bit Rate Control | CBR/VBR |
| Bit Rate | H.265/H.264: 448K ~ 8192Kbps |
| Day/Night | Auto(ICR) / Color / B/W |
| Backlight Compensation | BLC / HLC / WDR(120dB) |
| White Balance | Auto, ATW, Indoor, Outdoor, Manual |
| Gain Control | Auto / Manual |
| Noise Reduction | Ultra DNR (2D/3D) |
| Motion Detection | Support |
| Region of Interest | Support |
| Electronic Image Stabilization (EIS) | Support |
| Defog | Support |
| Smart Wiper | Support |
| Digital Zoom | 16x |
| Flip | 180° |
| Privacy Masking | Up to 24 areas |

Audio

| | |
|-------------|--|
| Compression | G.711a/G.711mu/PCM/G.726/AAC/G722.1/G.729/MPEG2-Layer2 |
|-------------|--|

Network

| | |
|---------------------|--|
| Ethernet | RJ-45 (100Base-TX/1000Base-T) |
| Protocol | IPv4/IPv6,HTTP,HTTPS,SSL,TCP/IP, UDP,UPnP, ICMP,IGMP,SNMP,RTSP,RTP, SMTP, NTP,DHCP, DNS,PPPOE,DDNS,FTP, IP Filter,QoS,Bonjour,802.1x |
| Interoperability | ONVIF, PSIA, CGI |
| Streaming Method | Unicast / Multicast |
| Max. User Access | 20 users |
| Edge Storage | NAS (Network Attached Storage),Local PC for instant recording, Micro SD card 128GB |
| Web Viewer | IE, Chrome, Firefox, Safari |
| Management Software | Smart PSS, DSS |
| Smart Phone | iOS, Android |

Certifications

| | |
|----------------|--|
| Certifications | CE: EN55032/EN55024/EN50130-4 FCC: Part15 subpartB,ANSI C63.4- 2014 NEMA 4X: UL60950-1+CAN/CSA C22.2, No.60950-1 |
|----------------|--|

Interface

| | |
|-----------------|-----------------------------|
| Video Interface | 1 port(BNC, 1.0V[p-p], 75Ω) |
| RS485 | 1 |
| Audio I/O | 1/1 |
| Alarm I/O | 7/2 |

Electrical

| | |
|-------------------|-----------------------------|
| Power Supply | AC24V/5A(±25%), Hi-PoE |
| Power Consumption | 35W, 60W (IR on, Heater on) |

Environmental

| | |
|----------------------|--|
| Operating Conditions | For DH-PTZ19245U-IRB-N: AC 24V: -50°C ~ 70°C (-58°F ~ +158°F) Hi-PoE : -40°C ~ 70°C (-40°F ~ +158°F) |
| | For DH-PTZ19245U-IRB-N-B: -40°C ~ 70°C (-40°F ~ +158°F) Less than 95% RH |
| Ingress Protection | IP68 |
| Vandal Resistance | N/A |

Construction

| | |
|--------------|----------------------------------|
| Casing | Metal |
| Dimensions | Φ234(mm) x 205 (mm) x 405.5 (mm) |
| Net Weight | 9.8kg(21.61lb) |
| Gross Weight | 15.5kg(34.17lb) |

Ordering Information

| Type | Part Number | Description |
|----------------|-----------------------|--|
| 2MP PTZ Camera | DH-PTZ19245U-IRB-N | 2MP 45x Starlight IR Network Positioning System, WDR, Side outlets, PAL |
| | DH-PTZ19245UN-IRB-N | 2MP 45x Starlight IR Network Positioning System, WDR, Side outlets, NTSC |
| | PTZ19245U-IRB-N | 2MP 45x Starlight IR Network Positioning System, WDR, Side outlets, PAL |
| | PTZ19245UN-IRB-N | 2MP 45x Starlight IR Network Positioning System, WDR, Side outlets, NTSC |
| | DH-PTZ19245U-IRB-N-B | 2MP 45x Starlight IR Network Positioning System, WDR, Bottom outlets, PAL |
| | DH-PTZ19245UN-IRB-N-B | 2MP 45x Starlight IR Network Positioning System, WDR, Bottom outlets, NTSC |
| | PTZ19245U-IRB-N-B | 2MP 45x Starlight IR Network Positioning System, WDR, Bottom outlets, PAL |
| | PTZ19245UN-IRB-N-B | 2MP 45x Starlight IR Network Positioning System, WDR, Bottom outlets, NTSC |

| | | |
|-------------|------------|---------------|
| Accessories | AC24V/5A | Power Adapter |
| | DH-PFB731W | Wall Mount |
| | DH-PFA120A | Junction Box |

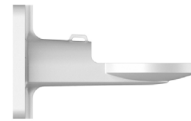
Accessories

Included:



AC24V/5A
Power Adapter

Optional:



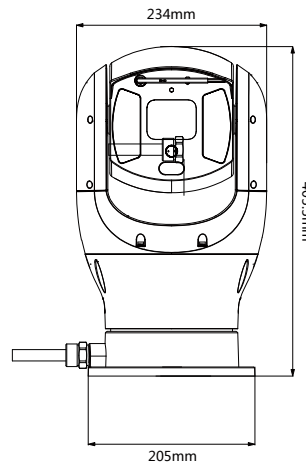
DH-PFB731W
Wall Mount



DH-PFA120A
Junction Box

Dimensions (mm)

DH-PTZ19245U-IRB-N:



DH-PTZ19245U-IRB-N-B:

